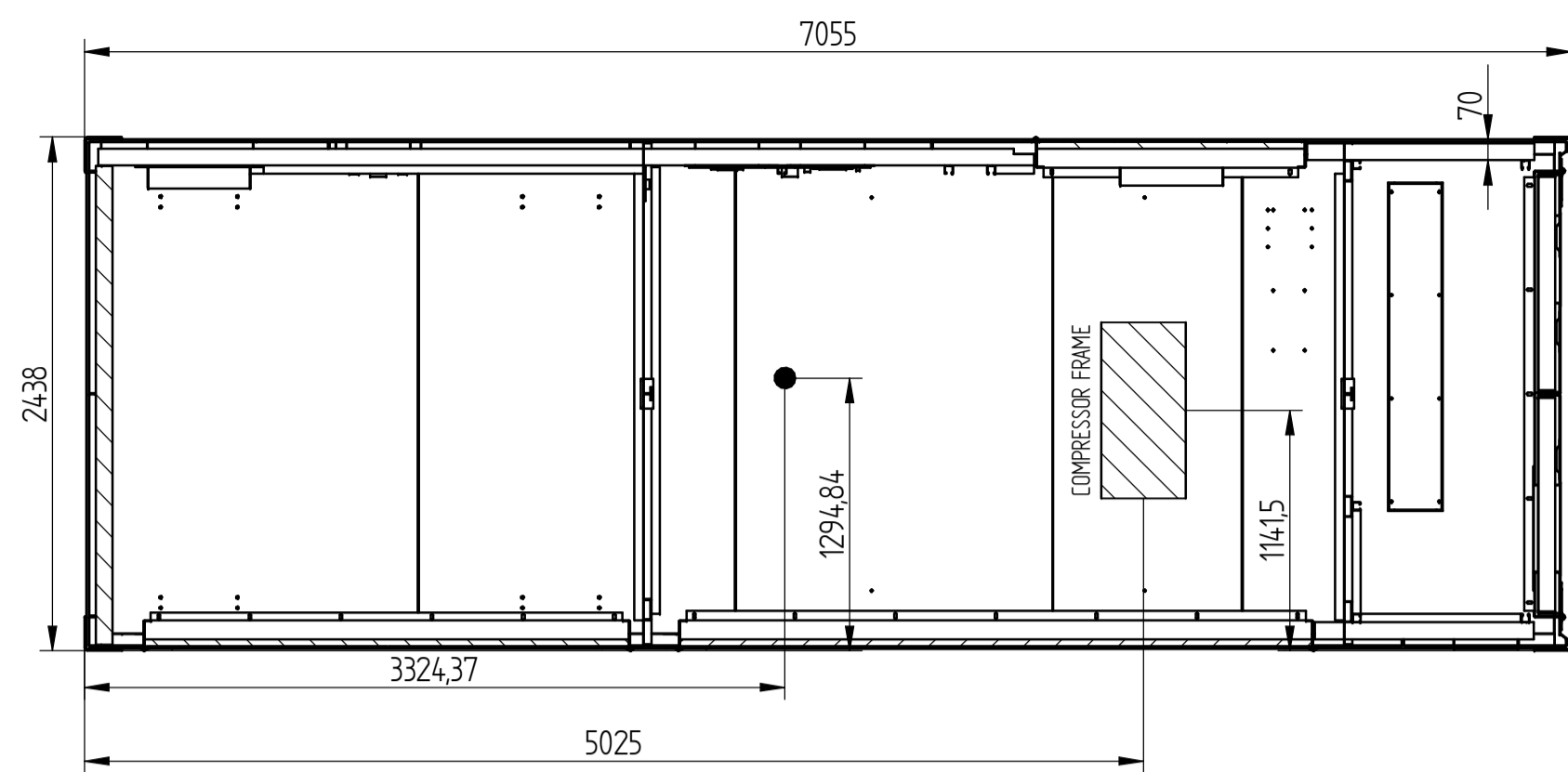


# GASVECTOR FOOTPRINT

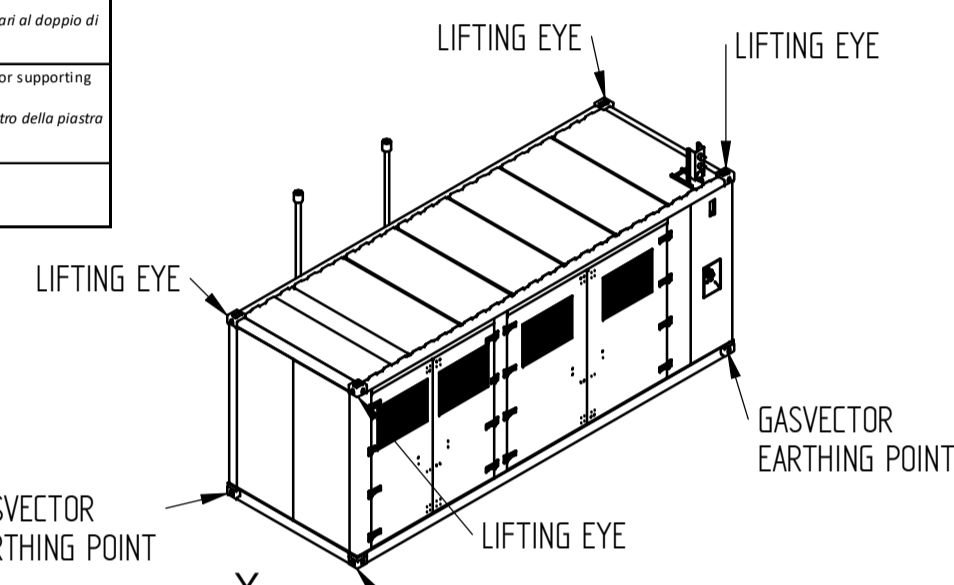
ESTIMATED TOTAL MASS: 17800 Kg appr.



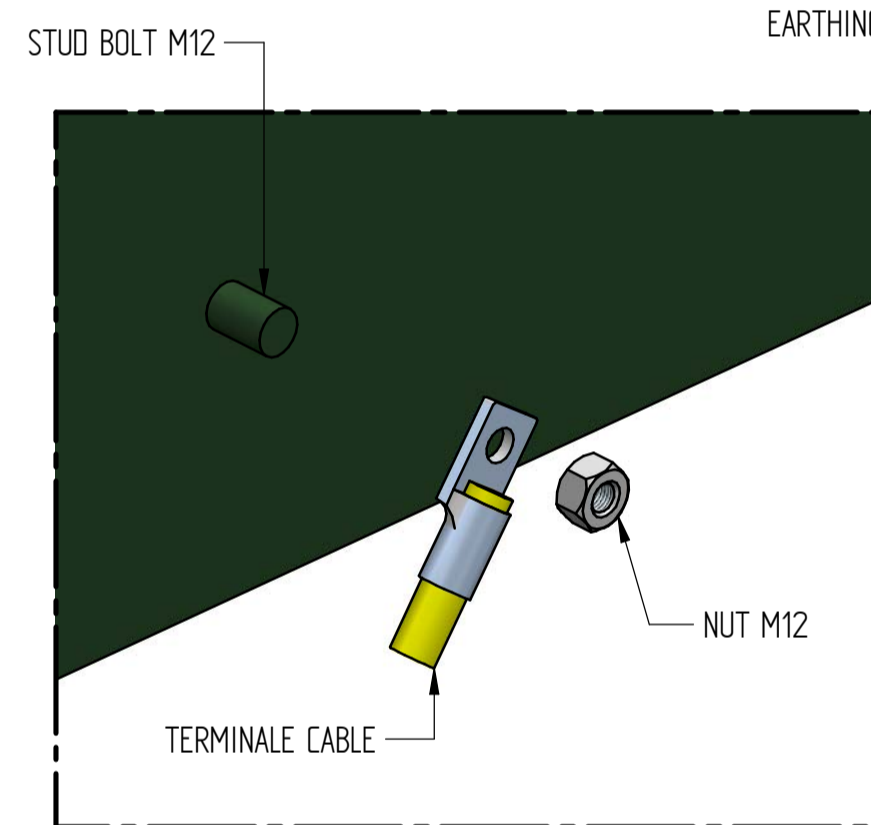
Actions transmitted to baseplate - Amplitude - see picture for axis reference Azioni trasmesse alla fondazione - ampiezza - v. figura per orientamento assi						
	Fy (kN)		Mx (Nm)		My (Nm)	
Static (weight) Statico (peso)	1st order inertia Inerzia 1° ordine	2nd order inertia Inerzia 2° ordine	1st order inertia Inerzia 1° ordine	2nd order inertia Inerzia 2° ordine	1st order inertia Inerzia 1° ordine	2nd order inertia Inerzia 2° ordine
174.618	0.000	0.650	270.000	60.000	470	100

Note 1: 1st order frequency is equal to compressor running frequency; 2nd order frequency is equal to twice the compressor running frequency.  
 Note 2: Fy static is applied to Gasvector CE - see picture for position. Dynamic actions (Fy, Mx, My) are applied to compressor supporting plate centre (see picture for position).  
 Note 3: Fy static is applied to centre of gravity - v. figura per posizione. Le azioni dinamiche (Fy, Mx, My) sono applicate al centro della piastra di supporto del compressore (v. figura per posizione).  
 Note 4: Wind and seismic actions are not taken in account, since they are dependent from installation site.  
 Note 5: Le azioni derivanti da vento e sisma non sono prese in considerazione, dipendendo dal luogo di installazione.

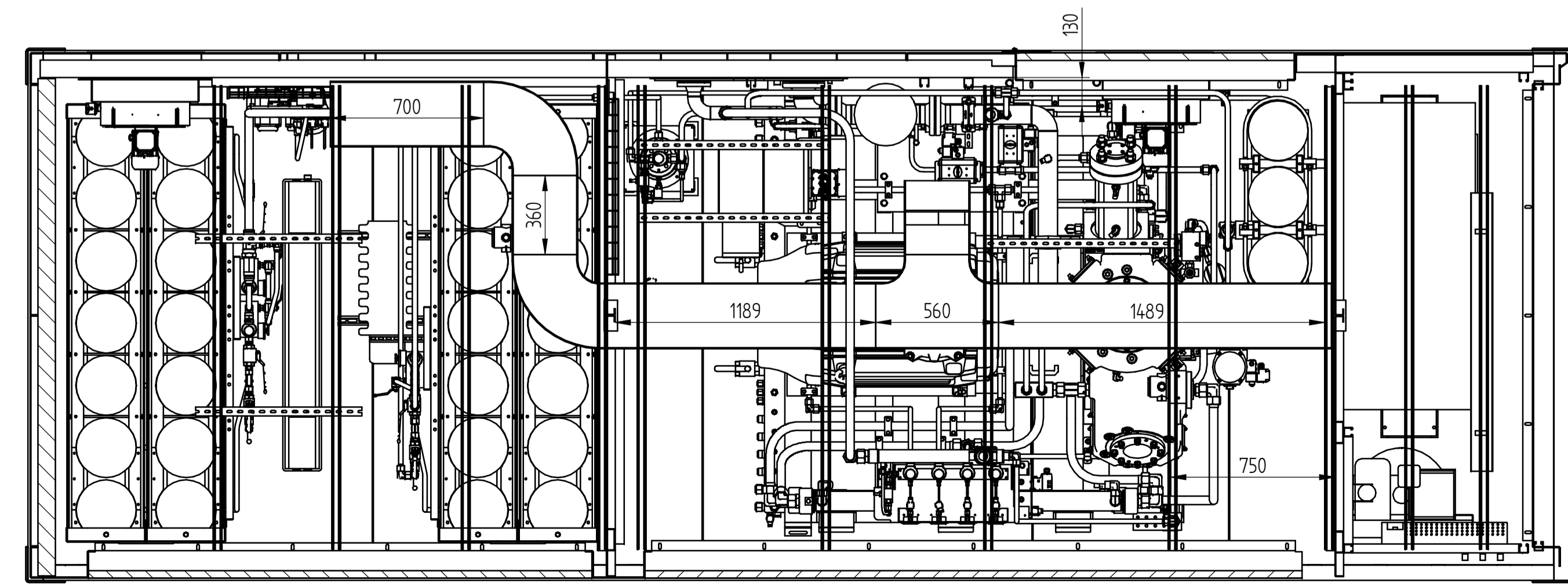
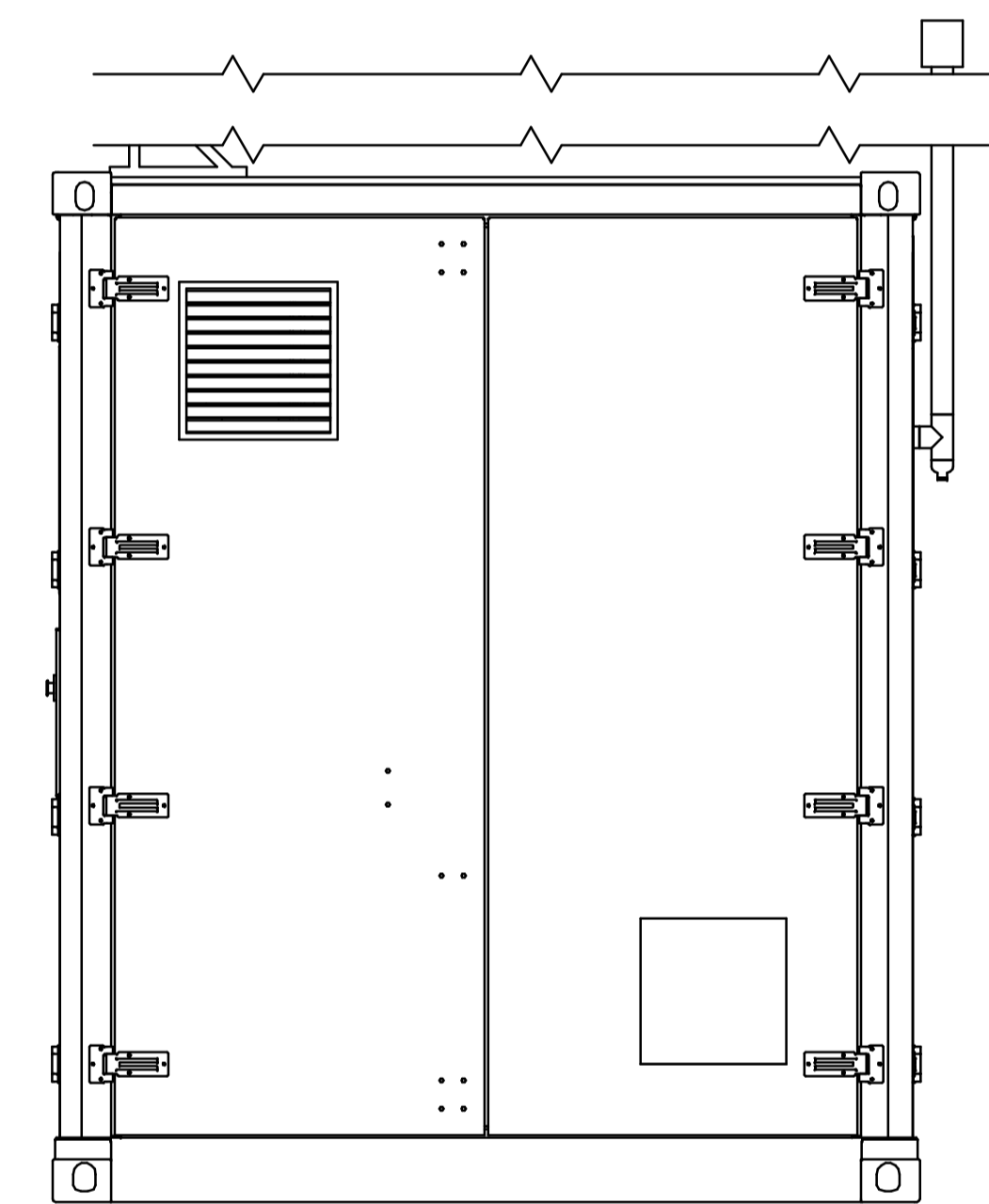
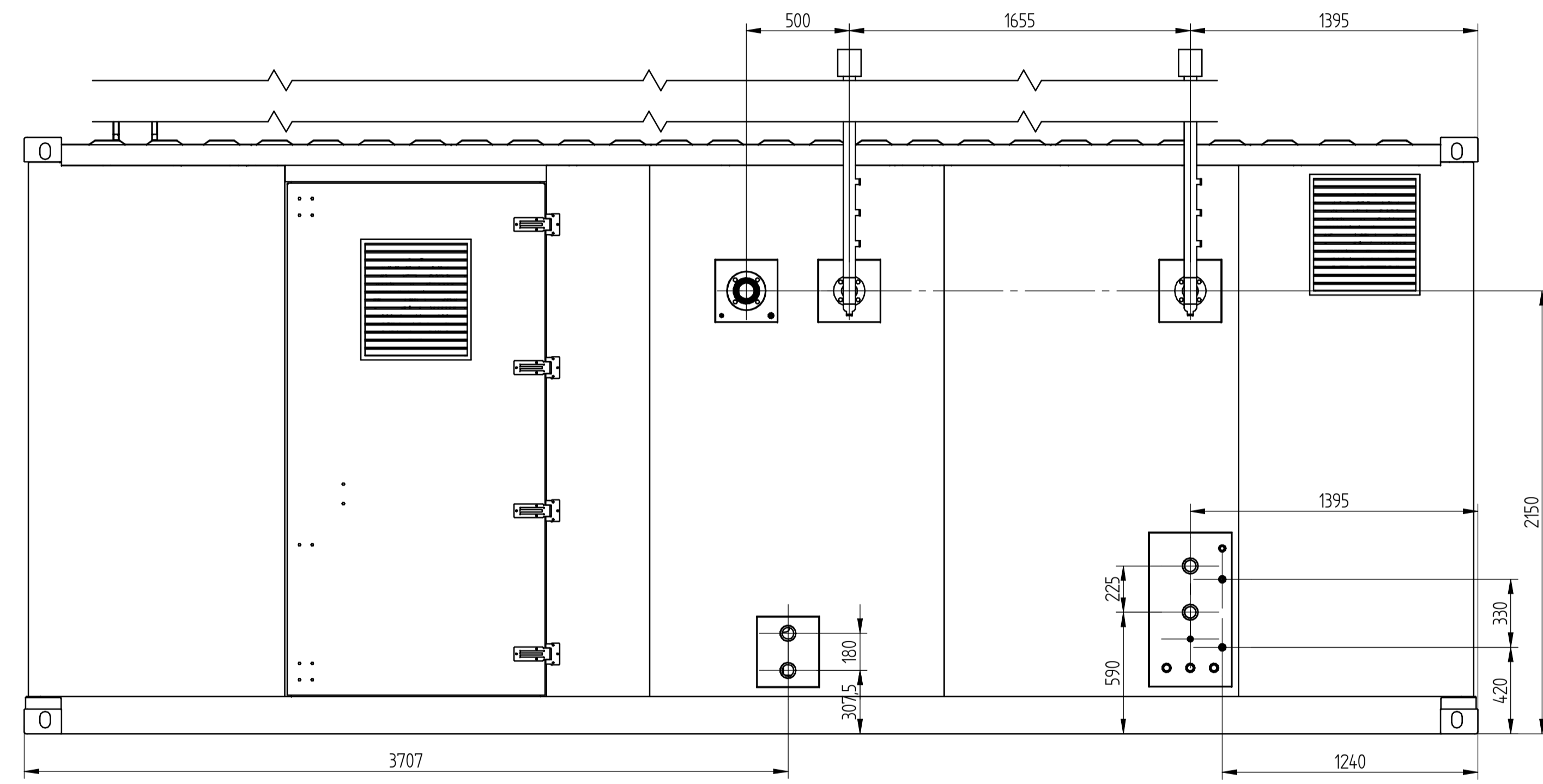
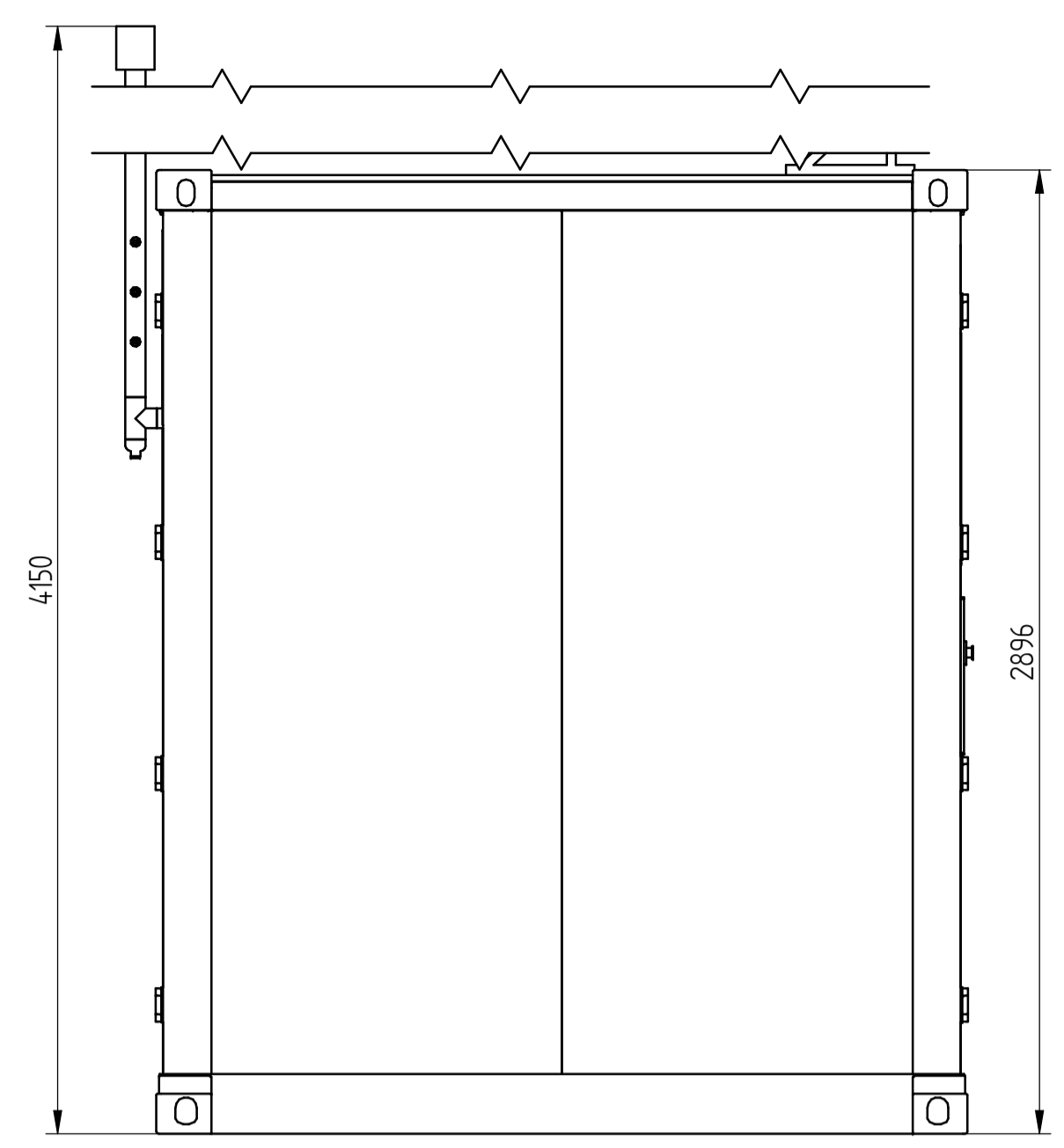
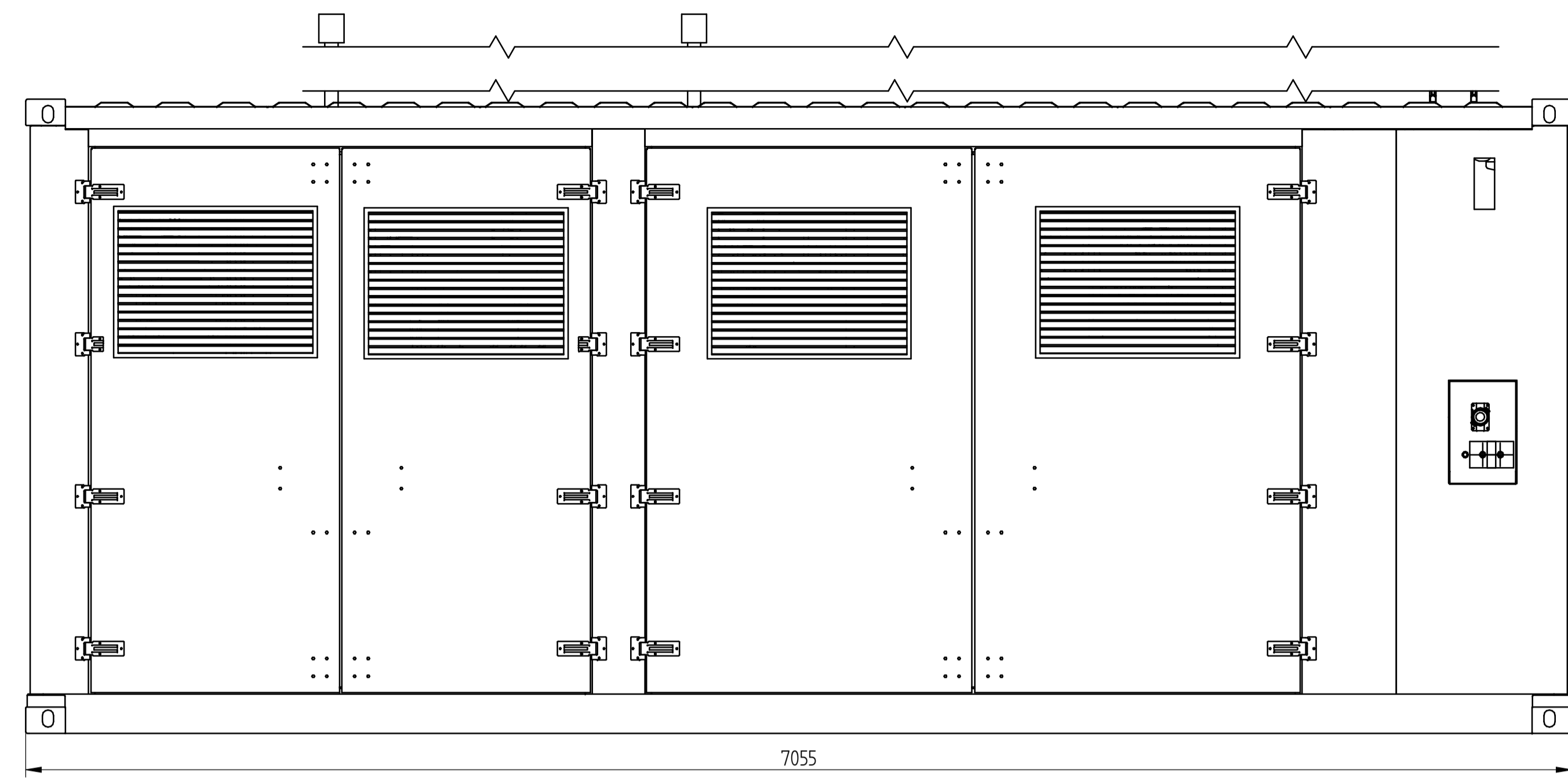
## LIFTING EYES LOCATION



## GASVECTOR EARTHING



NOT IN SCOPE OF SUPPLY  
 Gasvector earthing is accomplished tightening the earthing cables at the stud bolts located in the 4 corners of Gasvector.  
 Please pay attention: electrical continuity must be assured.

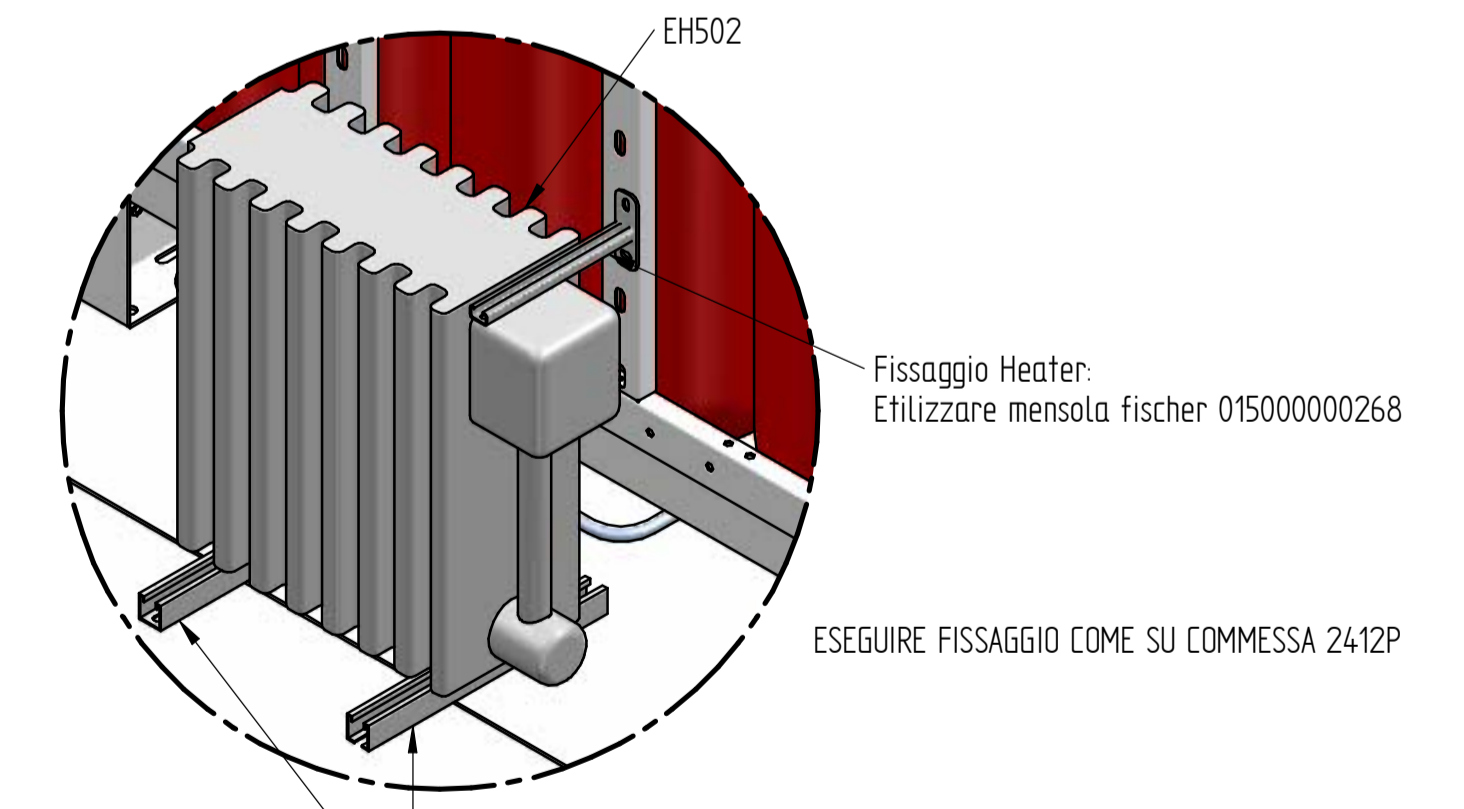
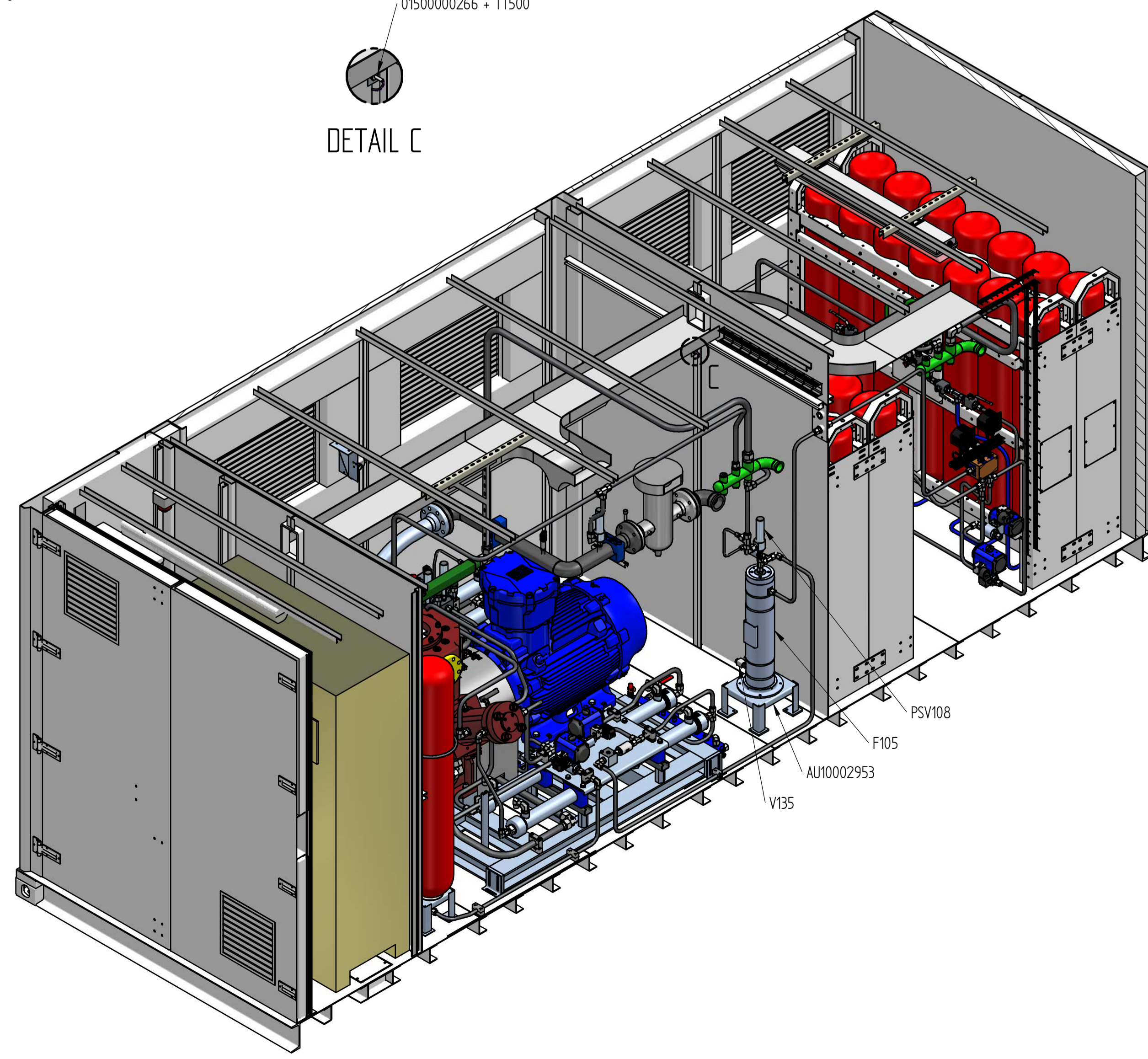
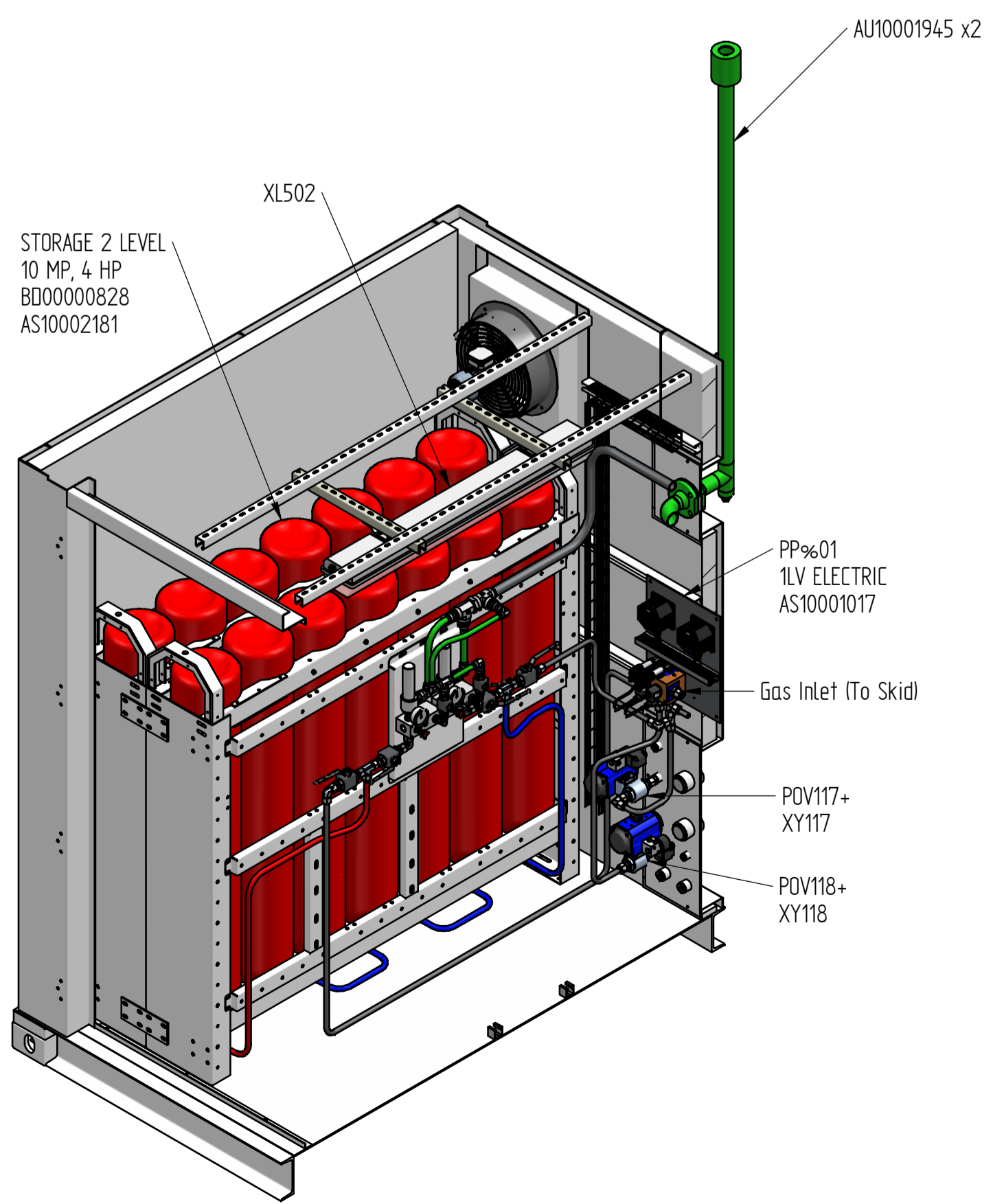
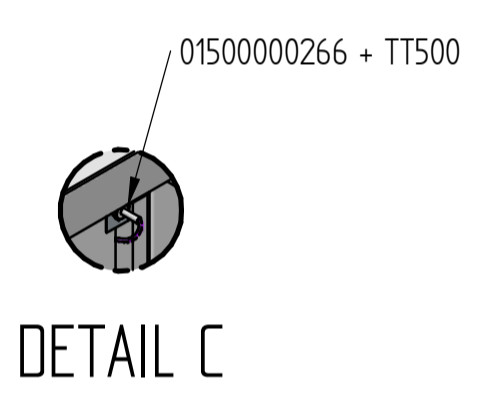
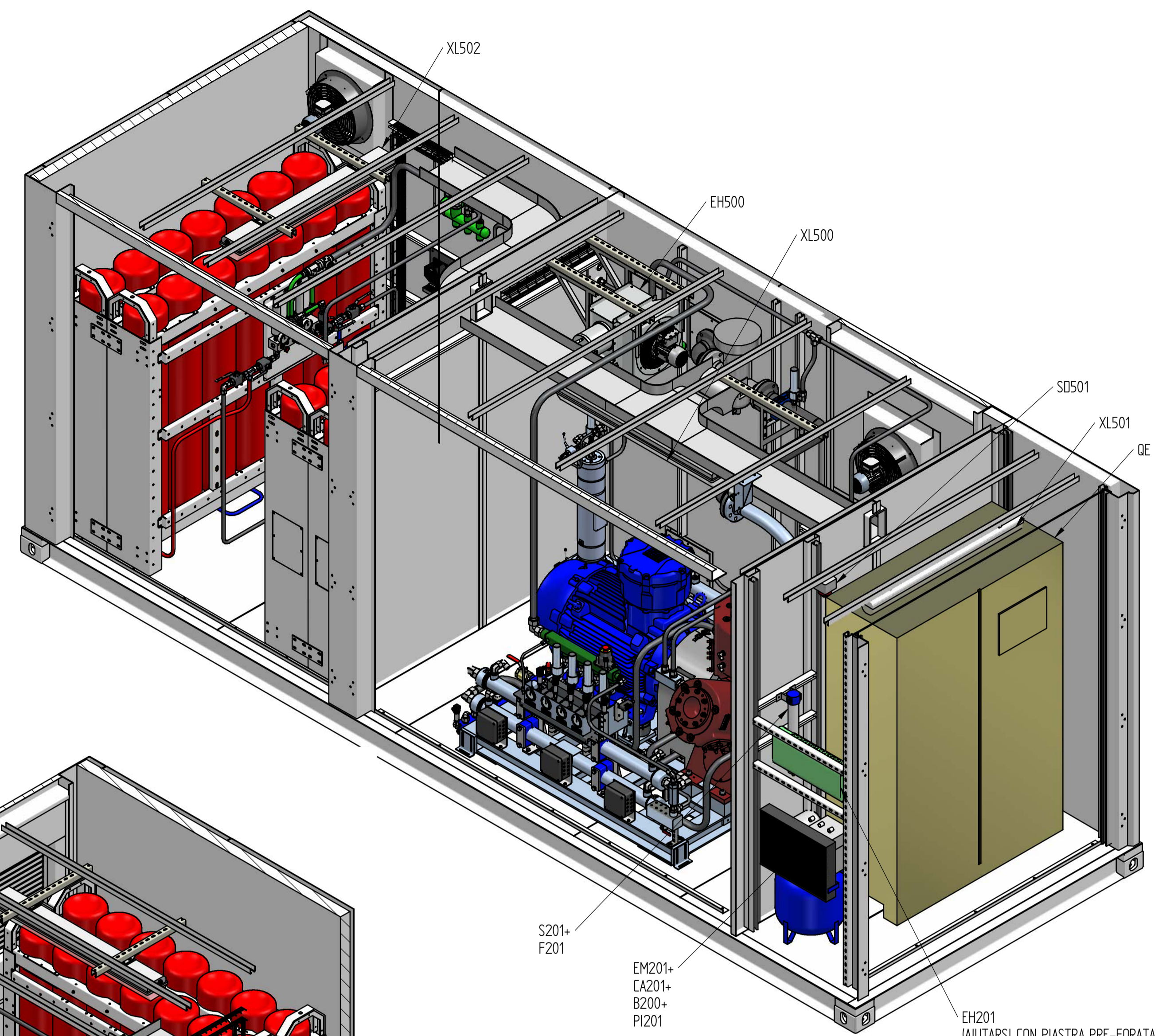
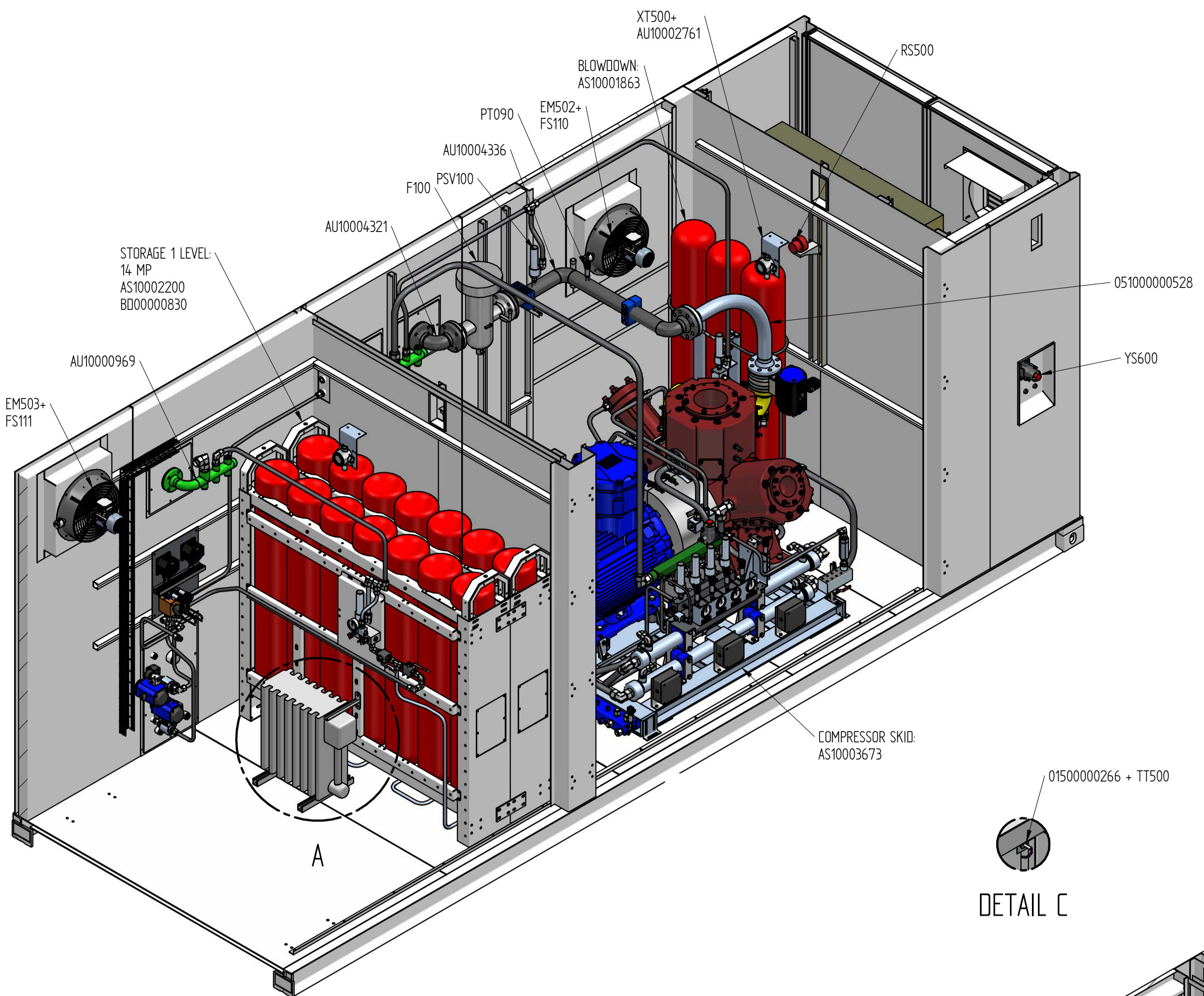


SCHEMES	
CODE	DESCRIPTION
SG22000134	P&ID GAS GV
SG22000132	P&ID SKID
SG22000133	P&ID COOLING
BD00000401	P&ID OIL
-	ELECTRICAL CONTROL PANEL
-	ELECTRICAL UTILITY LIST

For the connections legend TP, check P&ID:  
 - □ for P&ID gas;  
 - ○ for P&ID cooling

0	Emission	E. Bocchi	S. Faraci	P. Garbetti	12/04/22
REV	DESCRIZIONE - DESCRIPTION	ESEG. EXEC.	CONTR. CONTR.	APPR. APPR.	DATA DATE
		TITOLO TITLE: LAYOUT GV 40A300-132 KW NOTE: JOB 3240		Note file / Note file: AS10003674-0 Scale / Scala: 1:20	
CLIENTE CUSTOMER: Hoerbiger Service Nordic				Firmato / Firmat: AT	





REV	DESCRIZIONE - DESCRIPTION	ESEGL. EXEC.	CONTR. CONTR.	APPR. APPR.	DATA DATE
0	Emission				12/04/22

		TITOLO TITLE	LAYOUT GV 40A300-132 KW	Note file / Note file AS10003674-0
Via Ponticelli S-7 43029 Traversetolo - Italy Tel. +39 05211533844 Fax +39 05211523066 e-mail: info@fornovigas.it		NOTE NOTES	JOB 3240	Scala / Scale 1:20
CLIENTE CUSTOMER	Hoerbiger Service Nordic	Fornovigas / Fornovigas	A1	